

Vacuum Filters MDF

Vacuum Filters MDF



Introduction and application

- ◆ Filter dust and other impurities drawn in from the air inlet
- ◆ Reduce the risk of vacuum pump operation interruption or operation stop
- ◆ Detachable filter element
- ◆ Special filter element can be used to improve filtration area



Ordering Data Vacuum Filters MDF

Type	Ordering Data
MDF-15	90.08.01.00007
MDF-20	90.08.01.00008



Technical Data Vacuum Filters MDF

Type	Pressure range bar	Material	Temperature range °C	Filtering accuracy µm	weight g	Nominal flow rate l/m	Internal vacuum cm ³	Filter area m ²
MDF-15	-1~0bar	PA,PC,PE	-20~80	10	168	900	195	0.010
MDF-20	-1~0bar	PA,PC,PE	-20~80	10	170	900	205	0.010

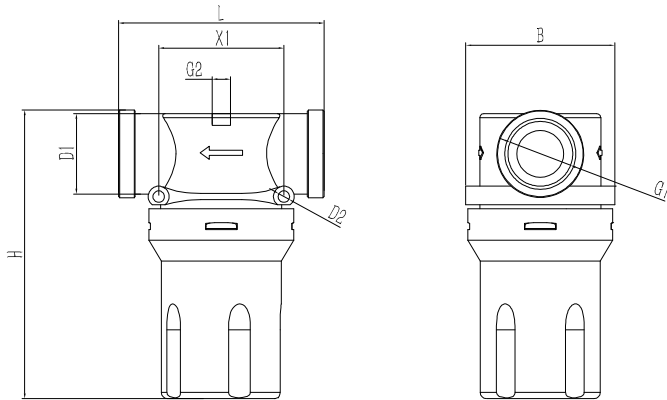
Vacuum Filters

Vacuum Filters MDF



Design Data Vacuum Filters MDF

MDF



Type	Dimensions[mm]							
	H	L	B	X1	D1	D2	G1	G2
MDF-15	138	98.5	71.5	60	φ 38.5	φ 5.5	G1/2"	NPSF1/8
MDF-20	138	98.5	71.5	60	φ 38.5	φ 5.5	G3/4"	NPSF1/8



MDF Specification For Filter Element

Type	Dimensions[mm]		
	weight[g]	filter area[m ²]	Filtering accuracy[μm]
F-20	26	0.010	10
F-25	50	0.019	10